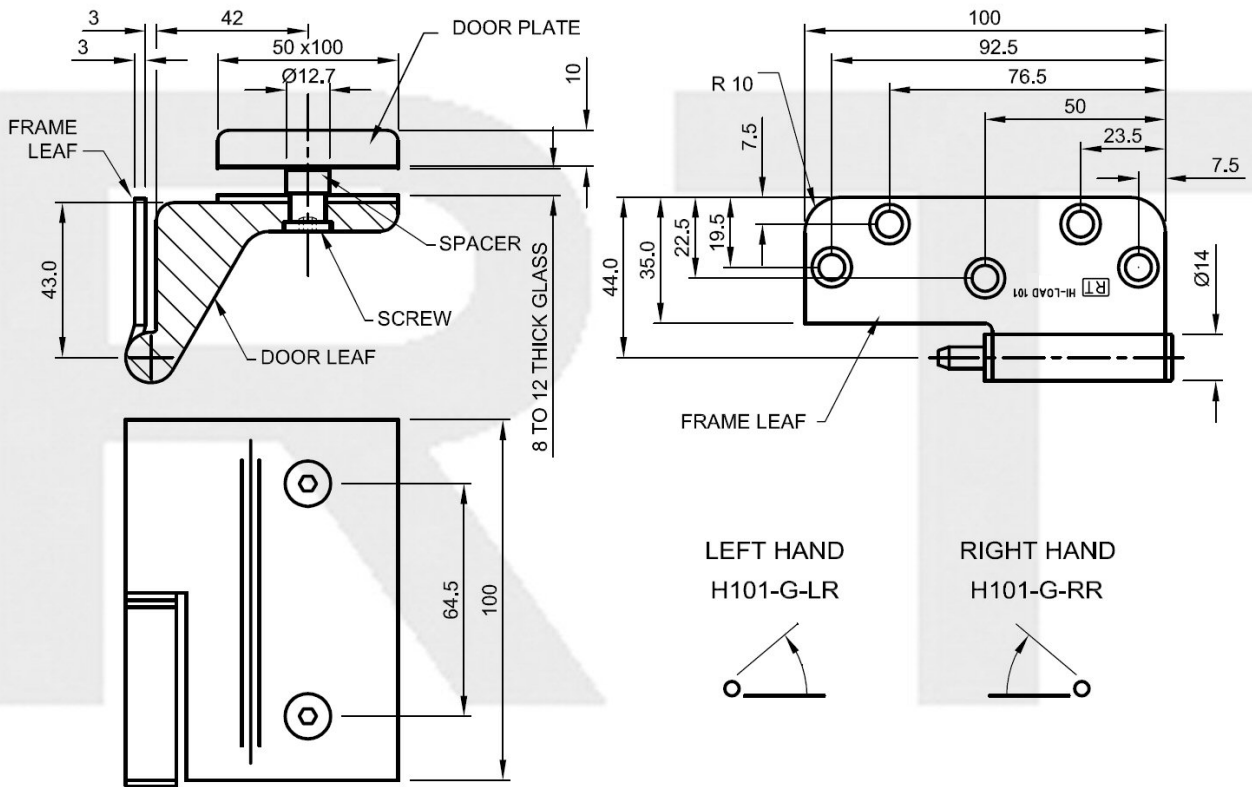


Royde & Tucker H101-G HI-LOAD lift-off hinge for Glass Doors



- Lift-off hinge for glass doors
- Grade 304 stainless/mild steel
- Maintenance free, guaranteed for 25 years
- c/w M5 x 30mm screws for frame leaf
- Maximum adjusted door weight 60kg
- R10 corner radii on frame leaf for easier fitting
- Minimum door thickness 8mm
- Unit weight 0.6kg
- Packing box quantity 3 or 30

Notes: Handed: G-LR (Left) and G-RR (Right)

Royde & Tucker Ltd

Bilton Road

Cadwell lane

Hitchin

SG4 0SB

Tel: 01462 444444

Fax: 01462 444433

www.ratman.co.uk

e-mail: sales@ratman.co.uk