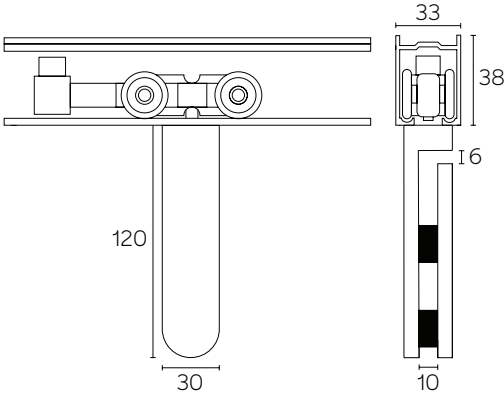


GEO.306
Sliding door system



SSS / PSS / Black



www.geohardware.co.uk

Geo is a registered trademark
© Geo



Architectural products for
the workplace and home