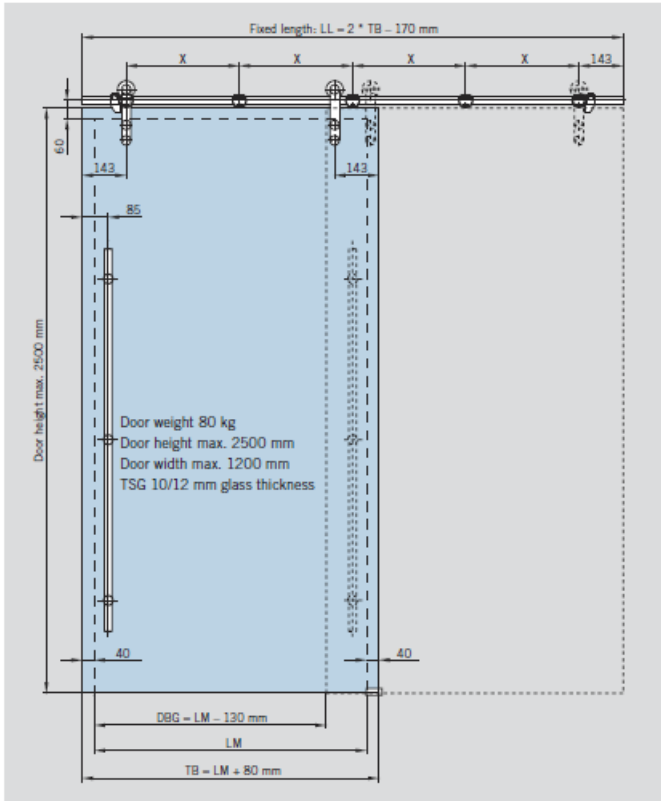
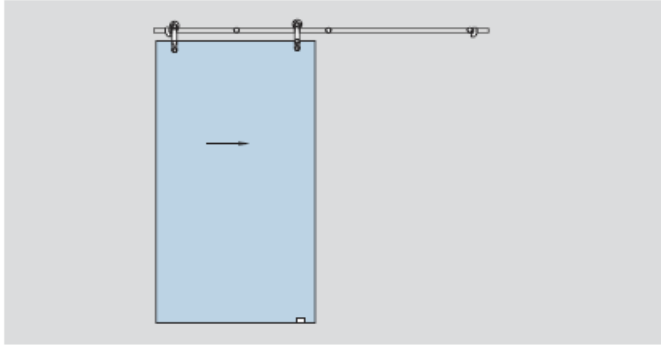


# SET 4.1/4.2

Sliding door MANET COMPACT for installation at wall, for 8 – 12 mm glass

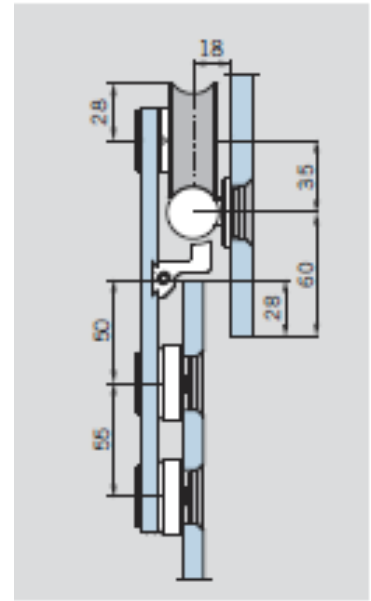


Set 4.1  
with single-point fixings  
countersunk

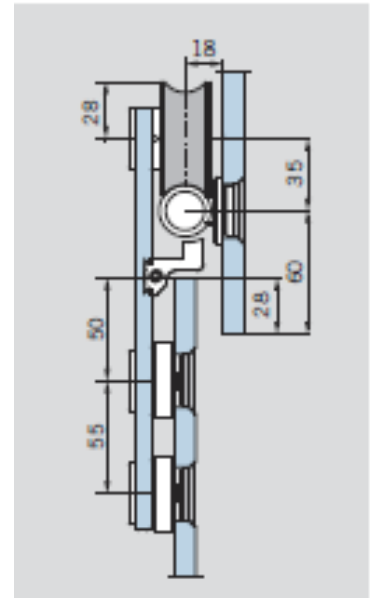
Set 4.2  
with clamping disc single-point  
fixings

- LM = Daylight opening
- TB = Door width
- DGB = Entry width
- LL = Tubular track length
- X = Distance of single-point fixings  
 $(LM - 148) \cdot 1/2$

## Sliding door with solid track



## Sliding door with tubular track and clamp fixing



Countersunk bore for countersunk single-point fixings

